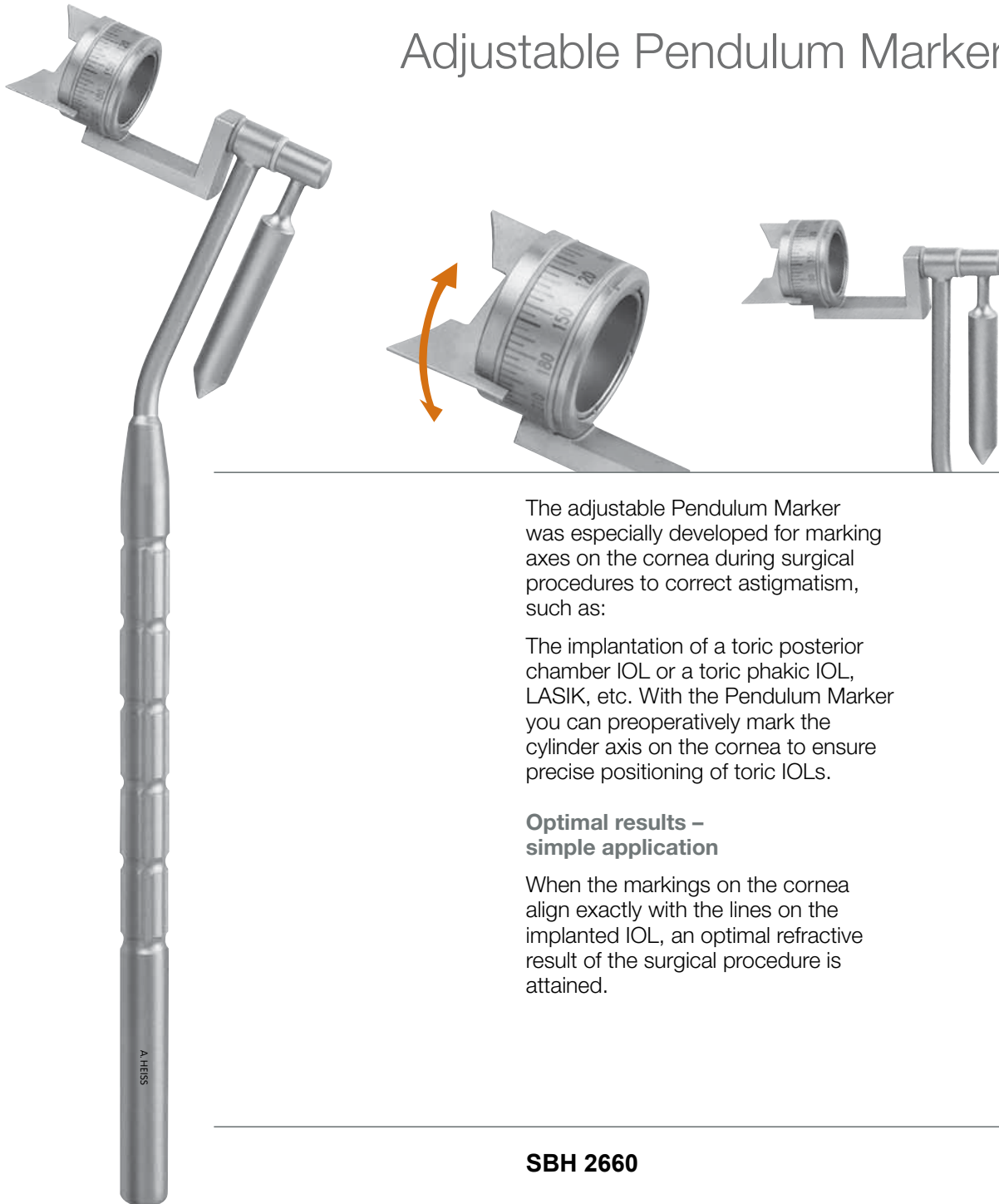




Strategic Business Holdings, Inc.

...Quality Products, Superior Customer Service, & Support

Adjustable Pendulum Marker



The adjustable Pendulum Marker was especially developed for marking axes on the cornea during surgical procedures to correct astigmatism, such as:

The implantation of a toric posterior chamber IOL or a toric phakic IOL, LASIK, etc. With the Pendulum Marker you can preoperatively mark the cylinder axis on the cornea to ensure precise positioning of toric IOLs.

Optimal results – simple application

When the markings on the cornea align exactly with the lines on the implanted IOL, an optimal refractive result of the surgical procedure is attained.

SBH 2660

100% made in Germany

Pendulum Marker

Main +1 (800) 303-3050 Fax +1 (949) 600-8874 9620 Research Drive, Irvine - CA 92618 USA info@sbhsurgical.com www.sbhsurgical.com

Copyright © SBH ©. 2020 - All rights reserved.



Strategic Business Holdings, Inc.

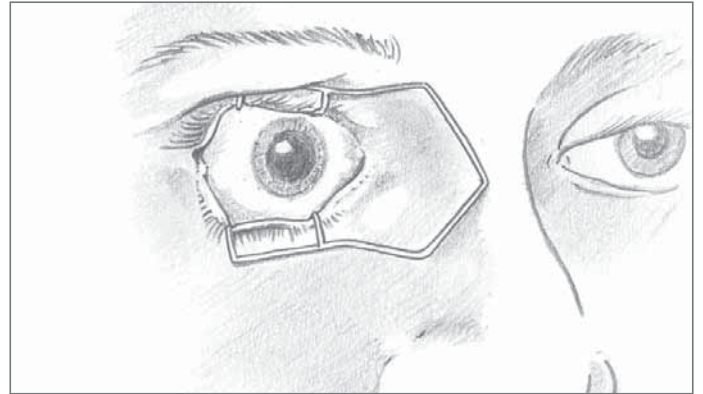
...Quality Products, Superior Customer Service, & Support

Adjustable Pendulum Marker

How to use

1. Prepare the patient (dilation/contraction of the pupil, anesthetizing of the surface of the eye)

Insert the Speculum



2. Set the defined degree of the cylinder/surgery axis on the scale of the instrument.

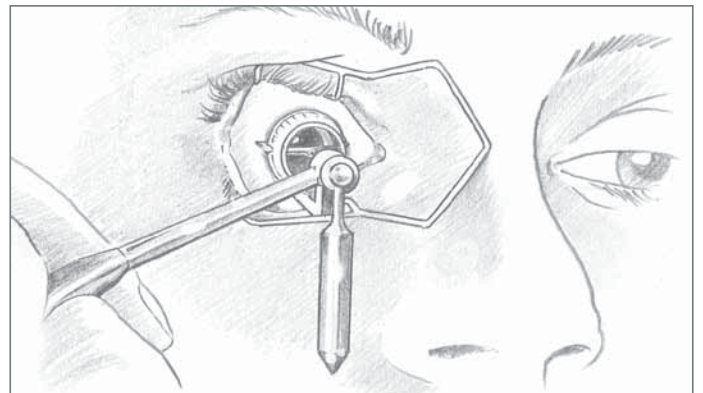
Colour the stamp with a suitable marking pen.



3. For the preoperative marking of the axis the patient is focusing a far point in a upright position.

Place the stamp on the centre of the cornea.

The pendulum always ensures the correct degree.



100% made in Germany

Pendulum Marker

Main +1 (800) 303-3050 Fax +1 (949) 600-8874 9620 Research Drive, Irvine - CA 92618 USA info@sbhsurgical.com www.sbhsurgical.com

Copyright © SBH ©. 2020 - All rights reserved.