



Strategic Business Holdings, Inc.

...Quality Products, Superior Customer Service, & Support



100% made in Germany

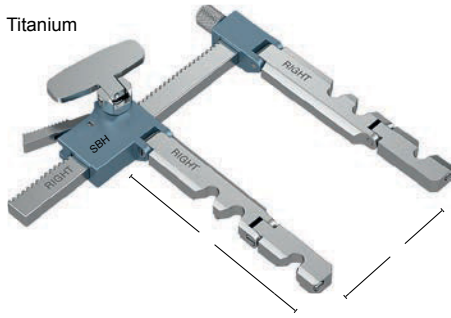
BB Retractor Set

Copyright © SBH ®. 2020 - All rights reserved.



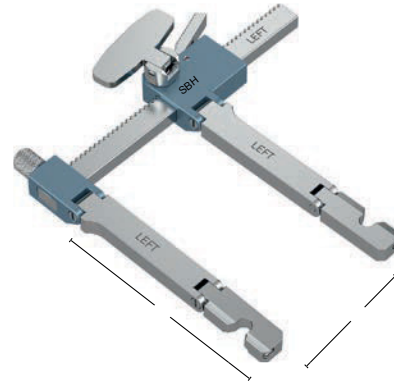
BB Retractor Set

- F1 Stainless Steel
- T1 Titanium



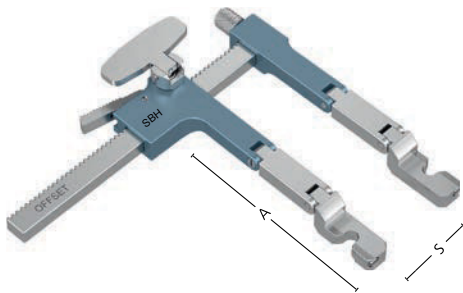
	Max. Opening	Arm length
SBH 11076908 F1	65 mm	80 mm
SBH 11076907 T1	65 mm	80 mm

BB Retractor Right



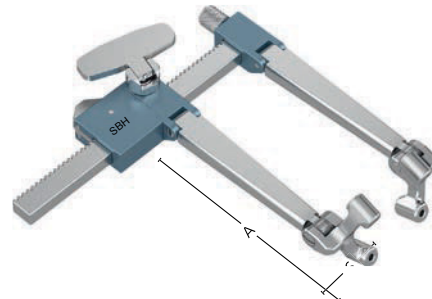
	Max. Opening	Arm length
SBH 11076913 F1	65 mm	80 mm
SBH 11076912 T1	65 mm	80 mm

BB Retractor Left



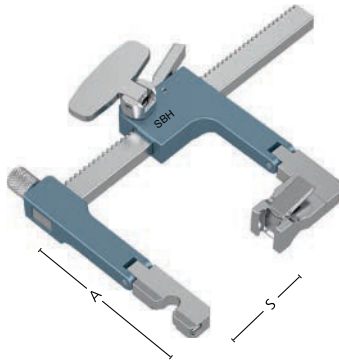
	Max. Opening	Arm length
SBH 11076918 F1	80 mm	80 mm
SBH 11076917 T1	80 mm	80 mm

BB Retractor Offset



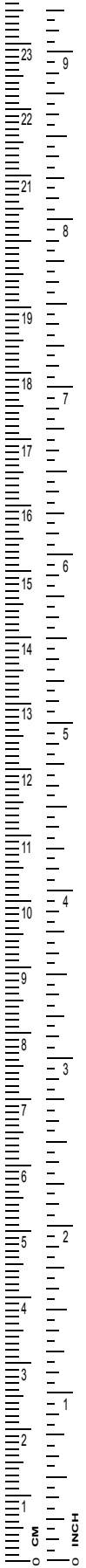
	Max. Opening	Arm length
SBH 11076921 F1	60 mm	60 mm
SBH 11076922 T1	60 mm	60 mm

BB Retractor Compression & Distraction



	Max. Opening	Arm Length
SBH 11076923 F1	80 mm	80 mm
SBH 11076924 T1	80 mm	80 mm

BB Retractor Frame with Instrument Coupling



Scale 1:4



Stainless Steel

F1

Titanium

T1

Cold Light

CL



F1	TI	CL	Depth
SBH 11076750	SBH 11076950	SBH 11075950	34 mm
SBH 11076751	SBH 11076951	SBH 11075951	40 mm
SBH 11076752	SBH 11076952	SBH 11075952	45 mm
SBH 11076753	SBH 11076953	SBH 11075953	50 mm
SBH 11076754	SBH 11076954	SBH 11075954	55 mm
SBH 11076755	SBH 11076955	SBH 11075955	60 mm
SBH 11076757	SBH 11076957	SBH 11075957	70 mm
SBH 11076759	SBH 11076959	SBH 11075959	85 mm

Blade with Teeth 22.5 mm



F1	TI	CL	Depth
SBH 11076760	SBH 11076960	SBH 11075960	34 mm
SBH 11076761	SBH 11076961	SBH 11075961	40 mm
SBH 11076762	SBH 11076962	SBH 11075962	45 mm
SBH 11076763	SBH 11076963	SBH 11075963	50 mm
SBH 11076764	SBH 11076964	SBH 11075964	55 mm
SBH 11076765	SBH 11076965	SBH 11075965	60 mm
SBH 11076767	SBH 11076967	SBH 11075967	70 mm

Blade Blunt 22.5 mm



F1	TI	CL	Depth
SBH 11076740	SBH 11076940	SBH 11075940	40 mm
SBH 11076741	SBH 11076941	SBH 11075941	47 mm
SBH 11076742	SBH 11076942	SBH 11075942	55 mm

Depth Blade with Teeth 26.5 mm



F1	TI	CL	Depth
SBH 11076745	SBH 11076945	SBH 11075945	40 mm
SBH 11076746	SBH 11076946	SBH 11075946	47 mm
SBH 11076747	SBH 11076947	SBH 11075947	55 mm

Depth Blade with blunt 26.5 mm

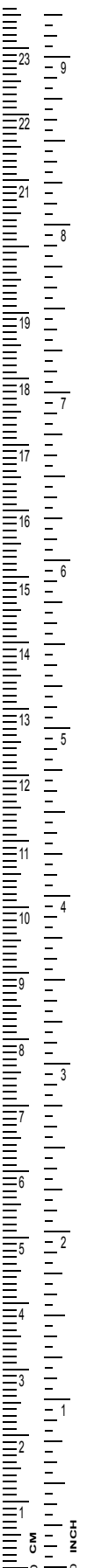


CL-Blades with cold light connector for additional illumination of the OR field.



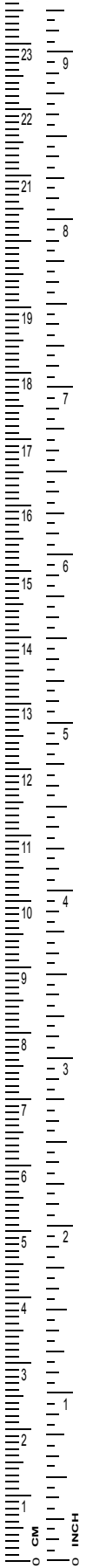
Cold-light-adaptor **SBH 11076927 F1**

1 : 2 Scale

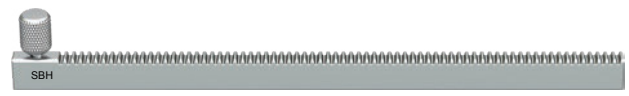




BB Instruments



- F1** Stainless Steel
- TI** Titanium



SBH 11076984	F1	SBH 11076983	TI
---------------------	-----------	---------------------	-----------

Long rack



SBH 11076987	F1
---------------------	-----------

BB adapter for holding arm



SBH 11076930	F1
---------------------	-----------

BB Blade handle (RS Design)



SBH 11076935	F1
---------------------	-----------

Handle standard



SBH 11076937	TI
---------------------	-----------

Depth gauge



SBH 11076993	F1	SBH 11076992	TI
---------------------	-----------	---------------------	-----------

Spitz blade



SBH 11076996	F1	SBH 11076995	TI
---------------------	-----------	---------------------	-----------

T-blade



SBH 11076998	F1	SBH 11076997	TI
---------------------	-----------	---------------------	-----------

Ligament blade



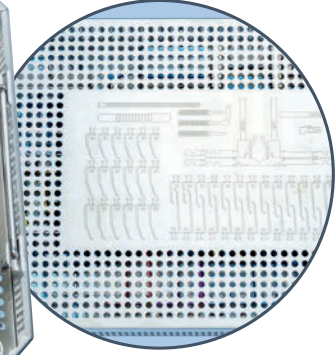
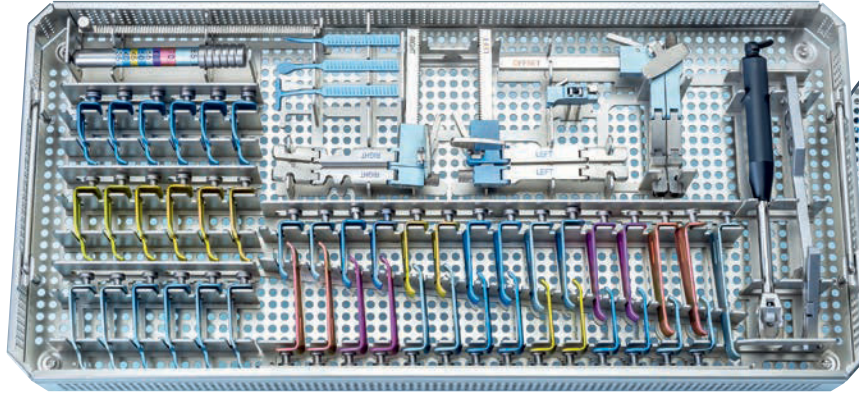
SBH 11076990	F1	SBH 11076991	TI
---------------------	-----------	---------------------	-----------

Instrument attachment coupling

BB Retractor Set



- F1 Stainless Steel
- T1 Titanium



- Cervical retractor system for anterior and posterior cervical surgery
- Optimal exposure
- Products available in titanium and stainless steel
- Blades Ti ALN coated with black finish
- 100% made in Germany

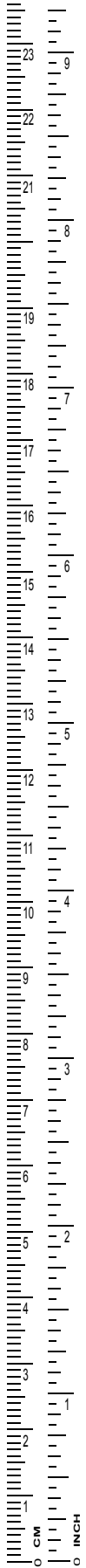
SBH 12096877	Tray with inserts and lid	Length	Width	Depth
		540 mm	253 mm	50 mm

SBH 12076900 F1	BB Set complete (stainless steel version) with tray SBH 12096877 consisting of
---	--

SBH 11076901 T1	BB Set complete (titanium version) with tray SBH 12096877 consisting of
---	---

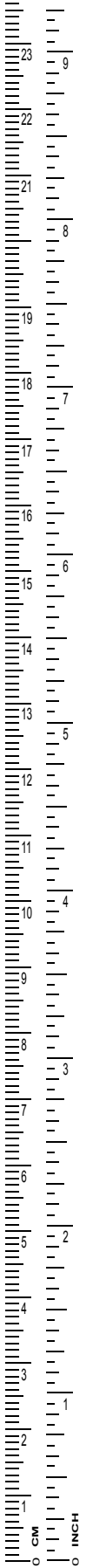
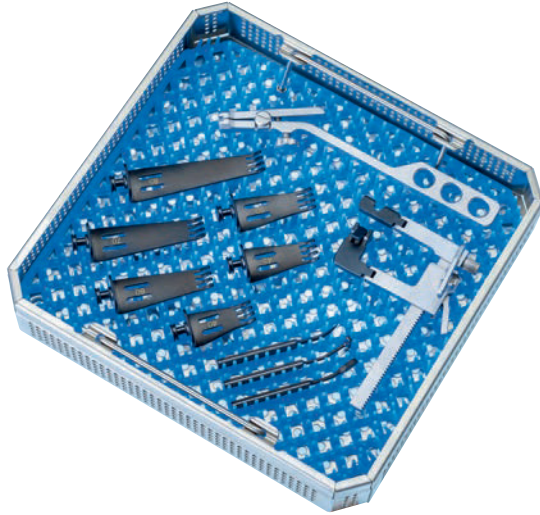
Set Content	Quantity	Set Content	Quantity
SBH 12076908 F1	1	SBH 11076755 F1	2
SBH 12076913 F1	1	SBH 11076757 F1	2
SBH 12076918 F1	1	SBH 11076759 F1	1
SBH 12076930 F1	1	SBH 11076760 F1	2
SBH 12076935 F1	1	SBH 11076761 F1	2
SBH 12076937 T1	1	SBH 11076762 T1	2
SBH 12076740 F1	4	SBH 11076763 F1	2
SBH 12076741 F1	4	SBH 11076764 F1	2
SBH 12076742 F1	4	SBH 11076765 F1	2
SBH 12076745 F1	2	SBH 11076767 F1	2
SBH 12076746 F1	2	SBH 11076990 F1	1
SBH 12076747 F1	2	SBH 11076993 F1	1
SBH 12076750 F1	2	SBH 11076996 F1	2
SBH 12076751 F1	2	SBH 11076998 F1	1
SBH 12076752 F1	2	SBH 11076984 F1	1
SBH 12076753 F1	2	SBH 12096877	1
SBH 12076754 F1	2		

Set Content	Quantity	Set Content	Quantity
SBH 11076907 T1	2	SBH 11076955 T1	2
SBH 11076912 T1	1	SBH 11076957 T1	2
SBH 11076917 T1	1	SBH 11076959 T1	1
SBH 11076937 T1	1	SBH 11076960 T1	2
SBH 11076930 F1	1	SBH 11076961 T1	2
SBH 11076935 F1	1	SBH 11076962 T1	2
SBH 11076940 T1	4	SBH 11076963 T1	2
SBH 11076941 T1	4	SBH 11076964 T1	2
SBH 11076942 T1	4	SBH 11076965 T1	2
SBH 11076945 T1	2	SBH 11076967 T1	2
SBH 11076946 T1	2	SBH 11076991 T1	1
SBH 11076947 T1	2	SBH 11076992 T1	1
SBH 11076950 T1	2	SBH 11076995 T1	1
SBH 11076951 T1	2	SBH 11076997 T1	1
SBH 11076952 T1	2	SBH 11076983 T1	1
SBH 11076953 T1	2	SBH 12096877	1
SBH 11076954 T1	2		





BB Micro Discectomy Set



SBH 12096881	<i>Tray with silicone mat and lid</i>	<i>Length</i>	<i>Width</i>	<i>Depth</i>
		243 mm	253 mm	50 mm

SBH 11076902 F1	BB Micro Discectomy Set complete (stainless steel) <i>with screen tray SBH12096881 consisting of</i>
--	---

SBH 11076903 F1	BB Micro Discectomy Set complete (stainless steel) <i>with screen tray SBH 12096881 consisting of</i>
--	--

<i>Set Content</i>	<i>Quantity</i>	<i>Set Content</i>	<i>Quantity</i>
SBH 11076923 F1	1	SBH 11076752 F1	1
SBH 11076935 F1	1	SBH 11076753 F1	1
SBH 11076993 F1	1	SBH 11076755 F1	1
SBH 11076996 F1	1	SBH 11076757 F1	1
SBH 11076998 F1	1	SBH 11076759 F1	1
SBH 11076751 F1	1	SBH 12096881	1

<i>Set Content</i>	<i>Quantity</i>	<i>Set Content</i>	<i>Quantity</i>
SBH 11076924 T1	1	SBH 11076952 T1	1
SBH 11076935 F1	1	SBH 11076953 F1	1
SBH 11076992 T1	1	SBH 11076955 T1	1
SBH 11076995 T1	1	SBH 11076957 T1	1
SBH 11076997 T1	1	SBH 11076959 T1	1
SBH 11076951 T1	1	SBH 12096881	1



Notes:



Strategic Business Holdings, Inc.

...Quality Products, Superior Customer Service, & Support

Main +1 (800) 303-3050 Fax +1 (949) 600-8874 9620 Research Drive, Irvine, CA 92618 USA info@sbhsurgical.com www.sbhsurgical.com

Copyright © SBH ®. 2020 - All rights reserved.